

D

B WAS 1228-77-8-1420

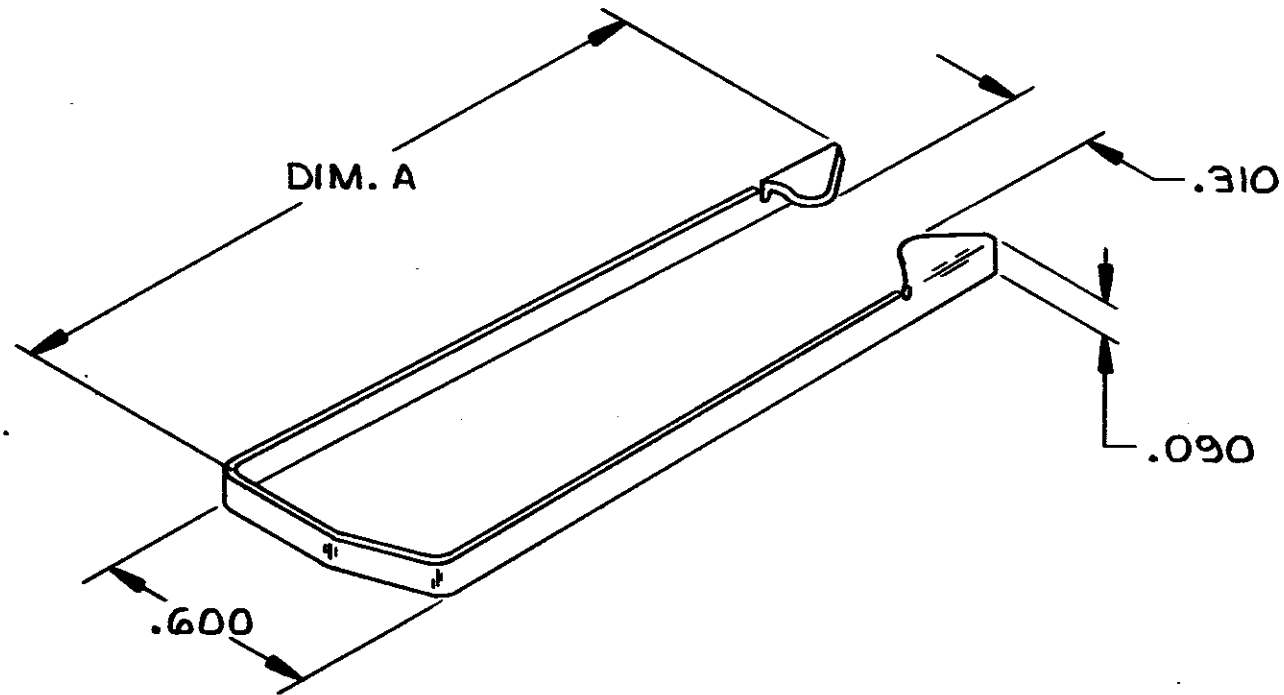
A

3

2

1 LOC AA DIST 10/2


REVISIONS						
P	F	ZONE	LTR	DESCRIPTION	DATE	APPROVED
			A1	REVISED PER ECO-11-005294	12APR11	HMR



1. ALL DIMENSIONS SHOWN ARE FOR REFERENCE ONLY UNLESS OTHERWISE SPECIFIED.

2 MATERIAL: PASSIVATED STAINLESS STEEL.

64	1.820	552723-3
14 & 24	.857	552723-2
36 & 50	1.338	552723-1
POSITIONS	DIM. A	PART NO

UNLESS OTHERWISE SPECIFIED DIMENSIONS ARE IN INCHES. TOLERANCES ON: DECIMALS ± #/100 ANGLES ± #/16	CONTRACT NO		 TE Connectivity			
	DR <i>A. Bourne</i> 6-26-80					
	MATERIAL		NAME			
	2		LATCH, LOCKING, CHAMP-LOK			
FINISH		APPD <i>B. White</i> 7/9/80	APPD <i>Womell</i> 7/9/80	SIZE	CODE IDENT NO	DRAWING NO
2		DSGN APPD		B	00779	552723
		OTHER APPD		SCALE	SHEET 1 OF 1	
				2/1		

CUSTOMER DRAWING